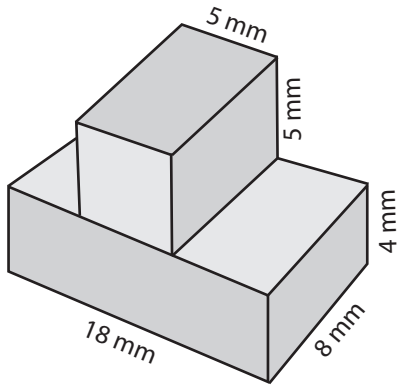


Volume - Compound Shapes

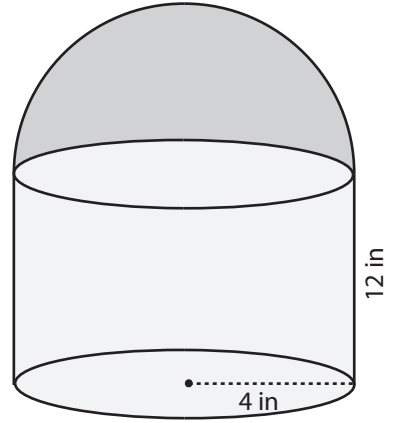
Find the volume of each figure. Round the answer to two decimal places. (use $\pi = 3.14$)

1)



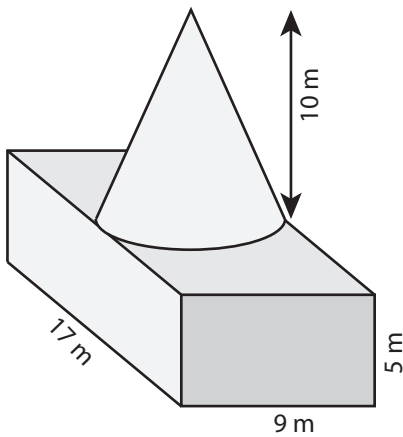
Volume = _____

2)



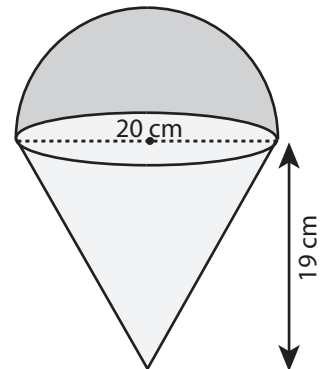
Volume = _____

3)



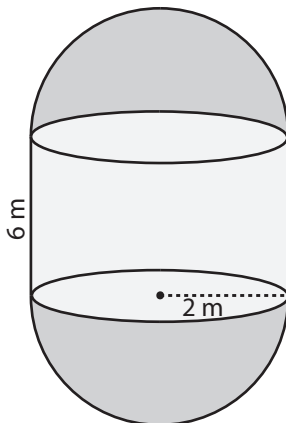
Volume = _____

4)



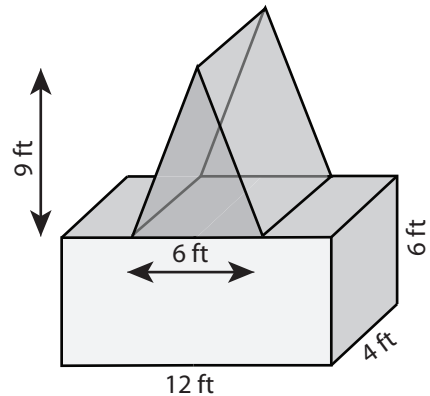
Volume = _____

5)



Volume = _____

6)

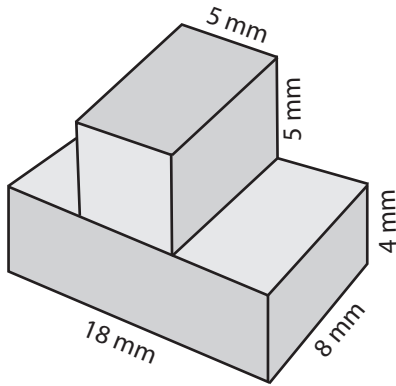


Volume = _____

Answer Key

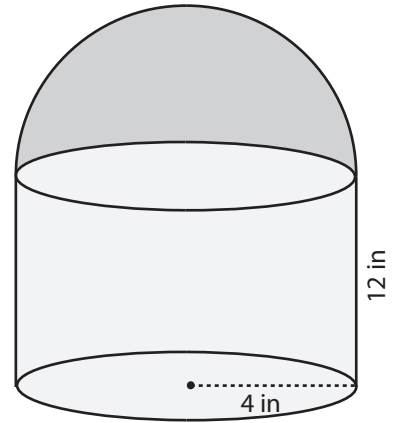
Find the volume of each figure. Round the answer to two decimal places. (use $\pi = 3.14$)

1)



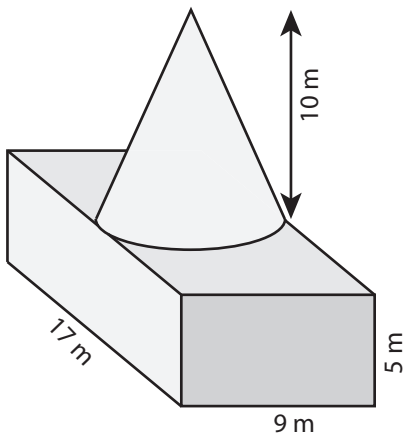
Volume = 776 mm³

2)



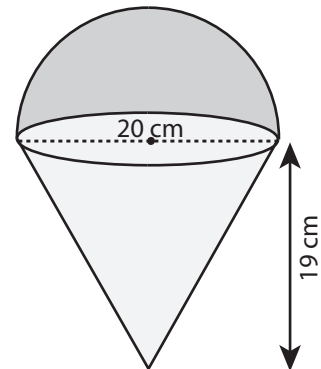
Volume = 736.85 in³

3)



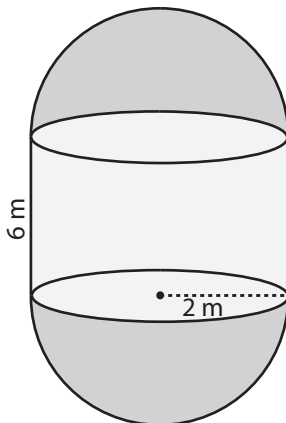
Volume = 976.95 m³

4)



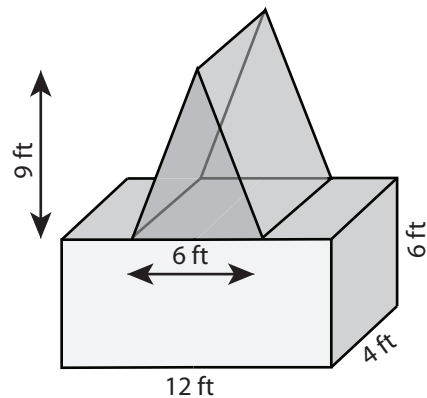
Volume = 4082 cm³

5)



Volume = 108.85 m³

6)



Volume = 396 ft³