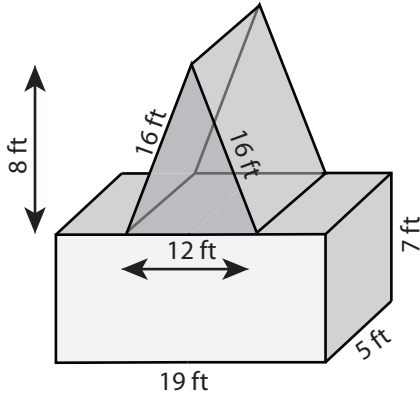


Surface Area - Compound Shapes

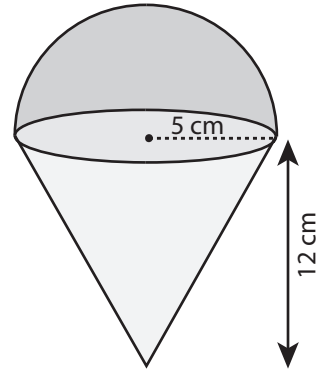
Find the surface area of each figure. Round the answer to two decimal places. (use $\pi = 3.14$)

1)



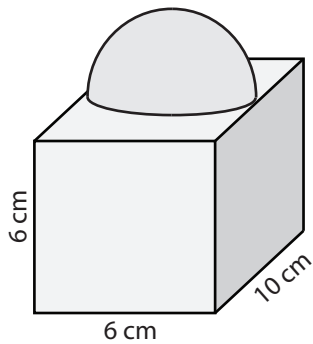
Surface Area = _____

2)



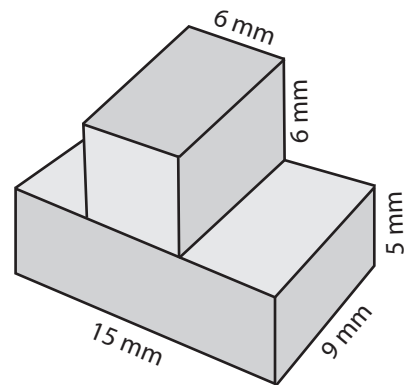
Surface Area = _____

3)



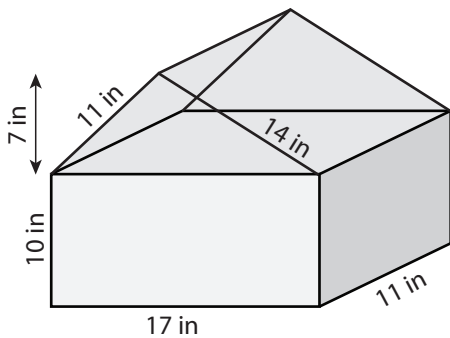
Surface Area = _____

4)



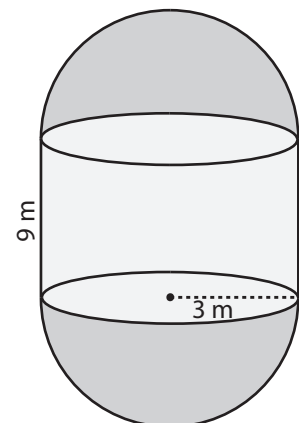
Surface Area = _____

5)



Surface Area = _____

6)

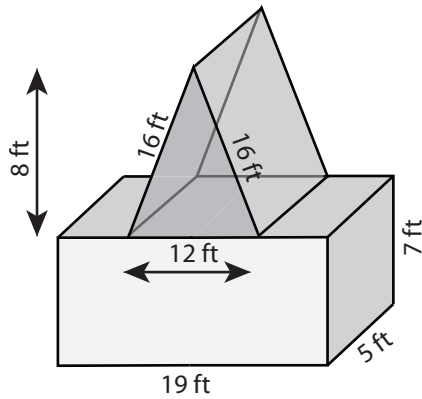


Surface Area = _____

Answer Key

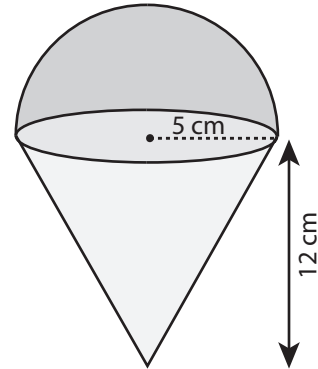
Find the surface area of each figure. Round the answer to two decimal places. (use $\pi = 3.14$)

1)



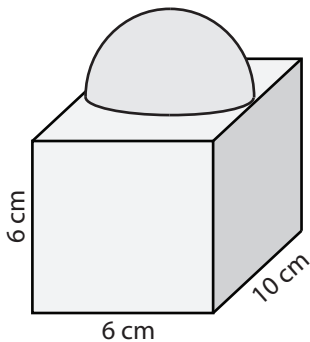
Surface Area = 722 ft²

2)



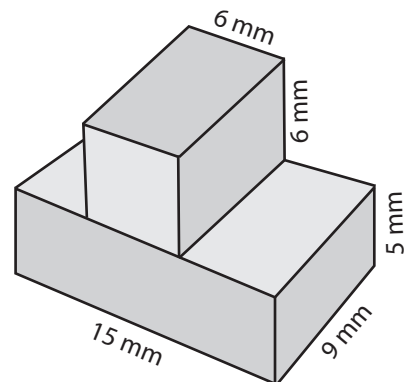
Surface Area = 361.1 cm²

3)



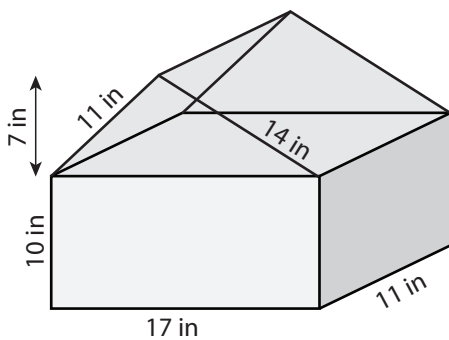
Surface Area = 340.26 cm²

4)



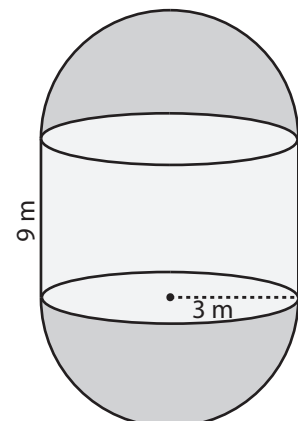
Surface Area = 690 mm²

5)



Surface Area = 1174 in²

6)



Surface Area = 282.6 m²