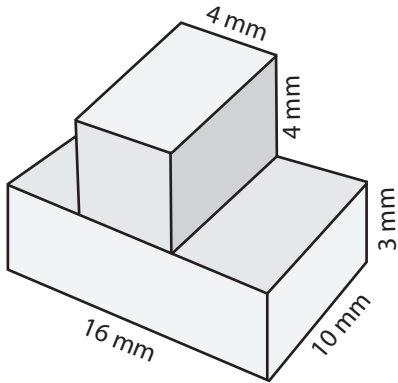


Surface Area - Compound Shapes

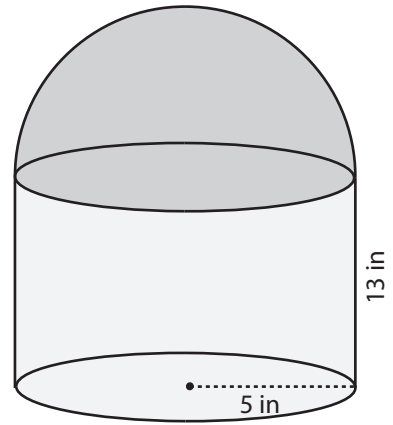
Find the surface area of each figure. Round the answer to two decimal places. (use $\pi = 3.14$)

1)



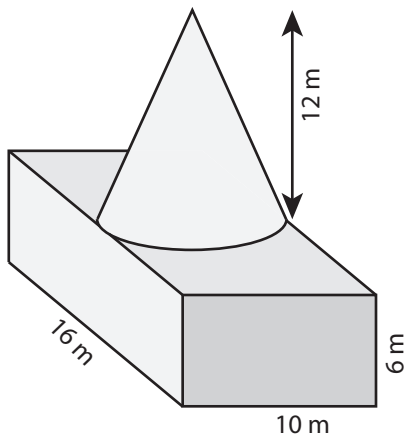
Surface area = _____

2)



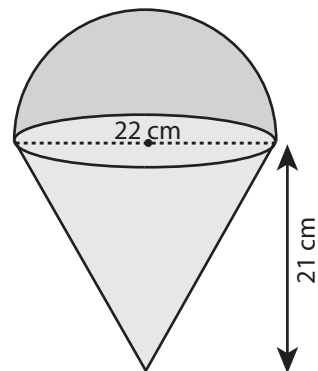
Surface area = _____

3)



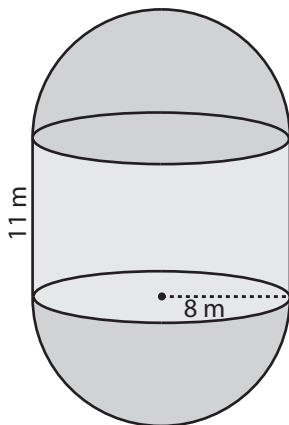
Surface area = _____

4)



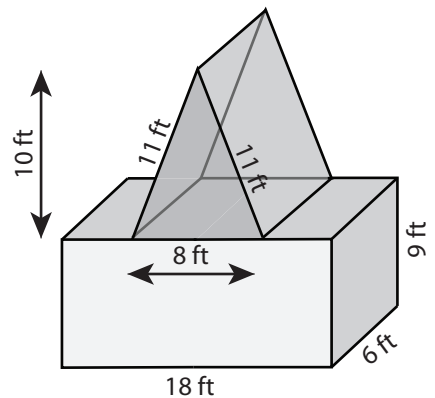
Surface area = _____

5)



Surface area = _____

6)

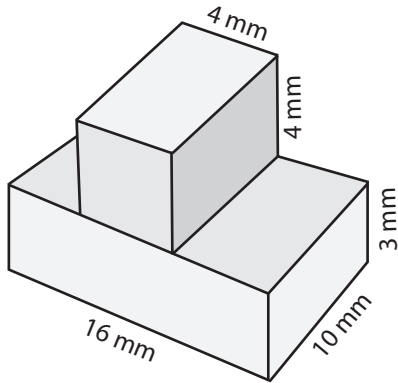


Surface area = _____

Answer Key

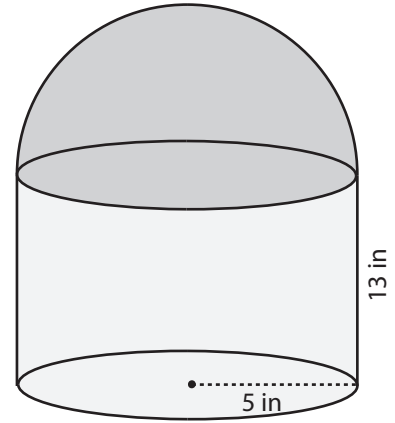
Find the surface area of each figure. Round the answer to two decimal places. (use $\pi = 3.14$)

1)



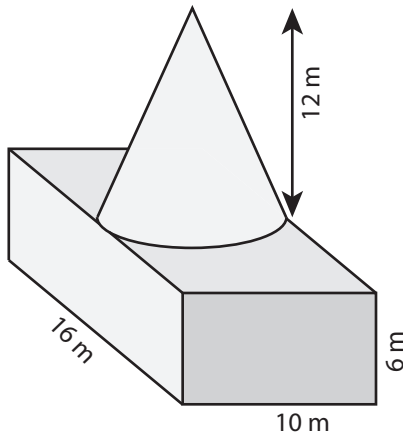
Surface area = 588 mm²

2)



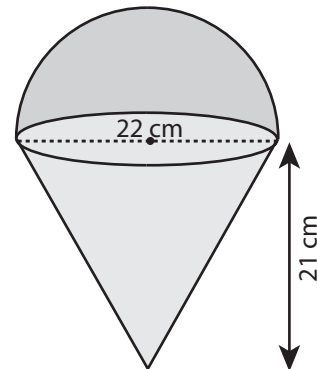
Surface area = 643.7 in²

3)



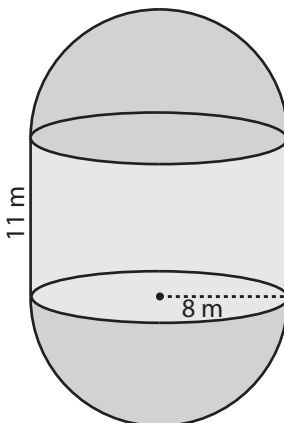
Surface area = 757.6 m²

4)



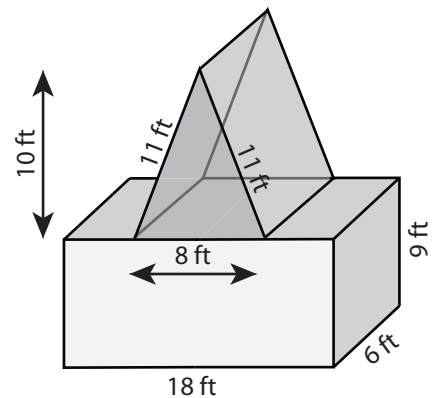
Surface area = 1578.82 cm²

5)



Surface area = 1356.48 m²

6)



Surface area = 812 ft²